

# Accurate packaging and filling valve systems.

adhesives cosmetics creams grease lubricants inks sealants



Precision 725HF valve systems dispense low to high viscosity fluids up to 450ml/second.

Best for filling small bottles, foil packs and samples with lotions, perfumes and adhesives. Also used for potting electronics and applying braze pastes.



## Features

- FDA-compliant wetted parts
- Autoclavable wetted parts (121°C)
- **Fully adjustable flow rates**
- Positive cutoff
- Cycle rate exceeds 400/minute
- $\leq \pm 1\%$  repeat fill tolerance
- Low-maintenance design

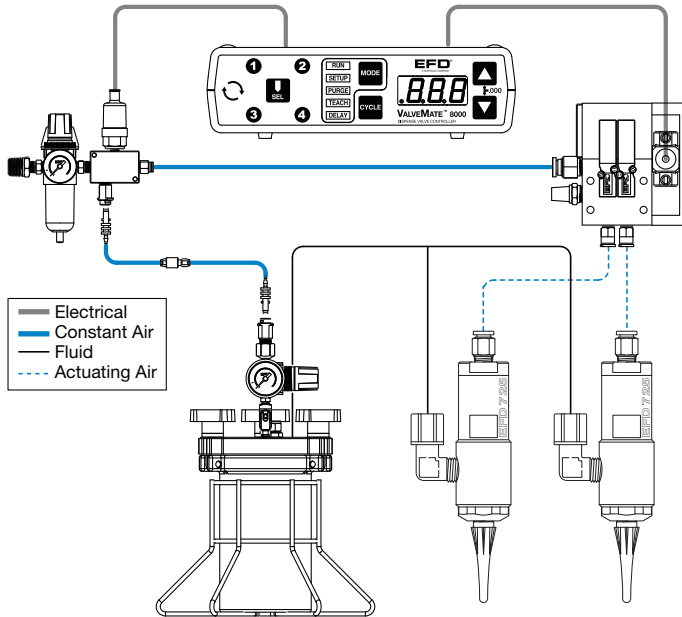
Electronic pdf files of Nordson EFD manuals are also available at [www.nordsonefd.com](http://www.nordsonefd.com)

# High flow valve systems



The complete system includes the 725HF dispense valve, ValveMate™ 8000 controller, the fluid reservoir and dispense nozzle.

Expert technical assistance and high quality standards ensure productive, trouble-free performance. Nordson EFD offers a full line of reliable dispensing systems to meet your specific application requirements.



## ValveMate 8000 Controller

Valve open time is the primary control of deposit size. The ValveMate controller puts push-button adjustment of valve open time where it needs to be — at the valve.

- Multi-valve control- up to (4) valves
- Partner to Programmable Logic Controller (PLC)
- Easy deposit size control
- Increased production output
- End user convenience
- Maximum machine efficiency

## Automation: XYZ & XYZR Robot Dispensing Systems

Nordson EFD offers a wide selection of XYZ and XYZR robot systems that are fully compatible with ValveMate valve controller systems. Consistent, accurate, repeatable and complex dispensing applications can be easily performed with Nordson EFD robots, with working envelopes that range from 200 x 200 x 50mm to 510 x 510 x 100mm. Scara robot systems are also available for larger, heavier products or inline dispensing applications.

## Fluid Reservoirs

Nordson EFD reservoirs are supplied with precision, constant-bleed regulators to ensure consistent fluid pressure to the valve.

Tank reservoirs are available in 1.0, 5.0 and 19.0 liter capacities.

## Dispense Tips

Tip selection is critical to achieve optimum valve performance. 725HF Series valves are packaged with (6) 14 gauge Ultra smooth-flow tapered tips and (2) 1/4 NPT one-piece polyethylene nozzles.

## 725HF Series Valves

The advanced 725HF design provides positive cutoff by means of a slight pull-back at the dispense cycle end, ensuring accurate fill amounts.

Unique UHMW\* polymer diaphragm replaces typical seals and seal maintenance, and ensures separation integrity of fluid from cylinder body.

**725HF-SS** Size: 108.7 mm x 31.1 mm diameter (4.28" x 1.23")

Weight: 309 grams (10.9 oz)

**725HF-A** Size: 109.2 mm x 31.1 mm diameter (4.30" x 1.23")

Weight: 185 grams (6.5 oz)

Maximum fluid pressure: 100 psi (6.9 bar)

Actuating air pressure required: 70 psi (4.8 bar)

Fluid inlet thread: 1/4 NPT

Fluid outlet: 1/4 NPT

Mounting: (1) 5/16 UNF or adjustable mounting block

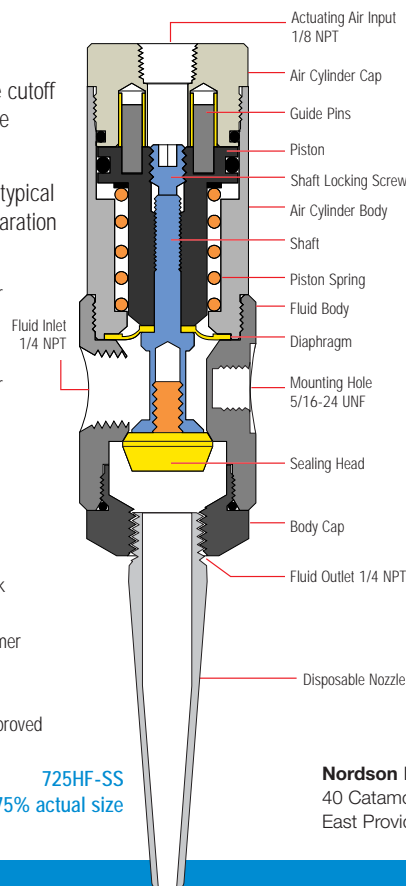
Air cylinder body: Hard-coated aluminum

Fluid body: Type 303 stainless steel or acetal copolymer

Piston: Hard-coated aluminum

Spring: Stainless steel

Sealing head/diaphragm: UHMW\* polymer, FDA-approved



**725HF-SS**  
75% actual size

For Nordson EFD sales and service in over 30 countries, contact EFD or go to [www.nordsonefd.com](http://www.nordsonefd.com)

East Providence, RI USA  
USA & Canada: 800.556.3484;  
+1.401.431.7000  
info@nordsonefd.com

Dunstable, Bedfordshire, UK  
0800 585733;  
+44 (0) 1582 666334  
Ireland 00800 8272 9444  
europe@nordsonefd.com

China: +86 (21) 3866 9006  
china@nordsonefd.com  
Singapore: +65 6796 9522  
sin-mal@nordsonefd.com

The Wave Design is a trademark of Nordson Corporation.  
©2010 Nordson Corporation v041410

All stainless steel parts are passivated.  
\*Ultra High Molecular Weight polyethylene

**Nordson EFD LLC**  
40 Catamore Boulevard  
East Providence, RI 02914 USA

info@nordsonefd.com  
www.nordsonefd.com

