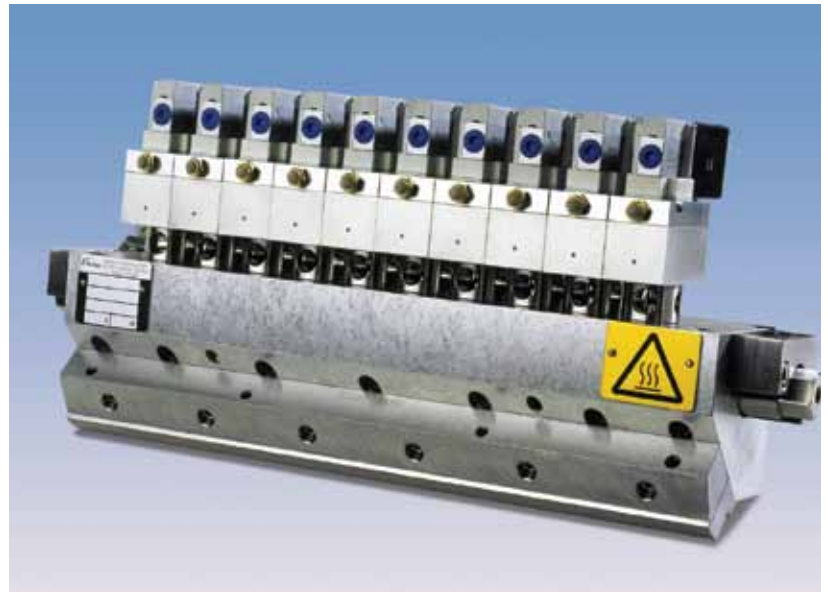


# Speed-Coat™ Slot Applicator

Precise cutoff and accurate cross-web adhesive distribution maximize productivity.



The Speed-Coat applicator meets high-speed intermittent and continuous production needs with accurate hot melt adhesive delivery.

The flexible design allows custom configuration for specific coating requirements. Smaller than comparable slots, the Speed-Coat applicator fits easily on production lines.

## Features and Benefits

- **Optimized snuff-back control module** supports increased line speeds and delivers precise adhesive cutoff, minimizing contamination between patterns.
- **Quick-change module and filter assemblies** maximize productivity by cutting replacement time in half.
- **User-friendly nozzle design** simplifies applicator setup and provides application quality when web routing or web tension is not optimized.
- **Self-cleaning nozzle** minimizes contamination and clogging during application, maximizing uptime.
- **Integrated module and applicator body** deliver the industry's best response time.
- **Precision manufacture** delivers exceptionally uniform distribution across the web.
- **Optional anti-stick coating** simplifies applicator maintenance and allows processing of reactive hot melt adhesives.
- **Recirculation modules** are available for producing long gaps between patterns and keeping adhesive circulating during machine stops.

# Speed-Coat™ Slot Applicator

## Specifications

Cycles <sup>1</sup>	Up to 9000 cycles/min
Operating Temperature	392° F (200° C) maximum
Application Width <sup>2</sup>	Up to 19.5 in. (500 mm)
Body Width	1.97 to 21.5 in. (50 to 550 mm)
Temperature Sensors	Type J, Ni 120 or PT100
Air Pressure <sup>3</sup>	72.5 to 87 psi (5 to 6 bar)
Operating Voltage	230 VAC, 50/60 Hz, 1 phase
Control Voltage	24 VDC

<sup>1</sup>Maximum number of cycles depends on operating and control air pressure, as well as adhesive viscosities.

<sup>2</sup>Wider application widths are available on request.

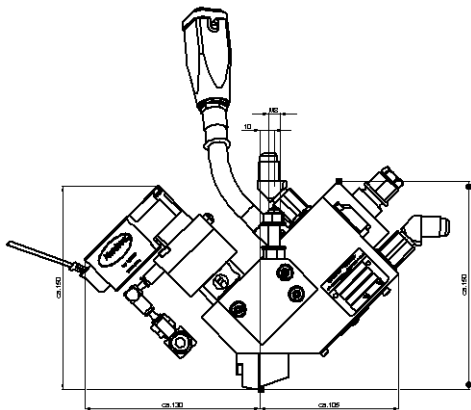
<sup>3</sup>Oil-free air must be used.



Quick-change filter assembly reduces downtime.



Compact design allows minimum body widths as low as 1.97 in. (50 mm).



Single-module (SM) profile



**For more information, speak with your Nordson representative or contact your Nordson regional office.**

### United States

Duluth, Georgia  
(800) 683-2314 **Phone**  
(866) 667-3329 **Fax**

### Europe

Luneburg, Germany  
(49) 4131-894-0 **Phone**  
(49) 4131-894-149 **Fax**

### Japan

Tokyo, Japan  
(81) 3-5762-2700 **Phone**  
(81) 3-5762-2701 **Fax**

### Asia/Australia/

### Latin America

Amherst, Ohio  
(440) 985-4496 **Phone**  
(440) 985-1096 **Fax**

### Find us on:

